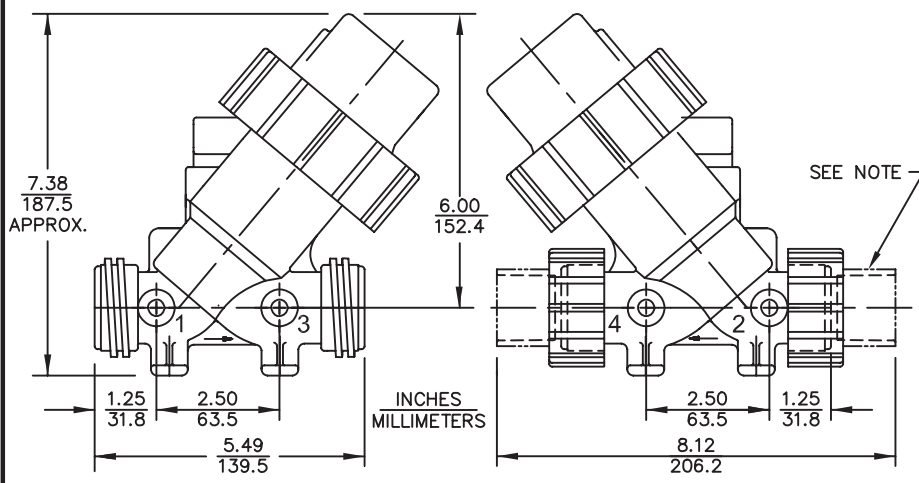


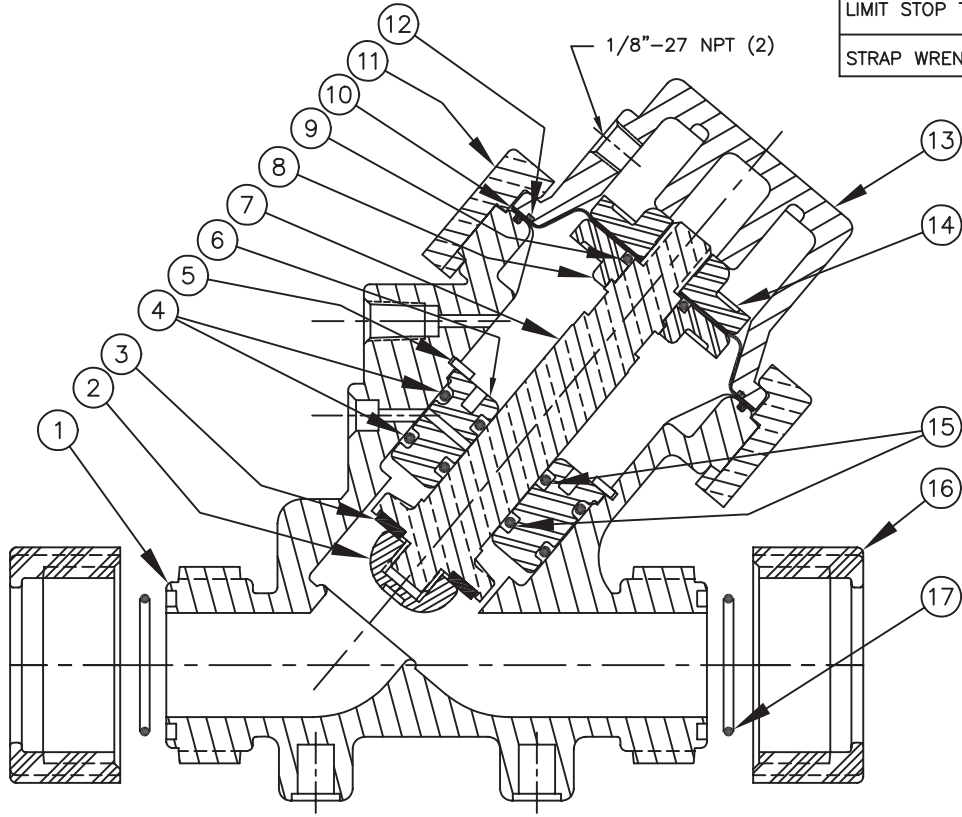
K531 DIAPHRAGM VALVE - STANDARD MODEL



REPAIR PARTS KITS		
DESCRIPTION	PART NO.	
DIAPHRAGM & SEALS KIT CONSISTS OF ITEM NO'S 3,4(2),9,10,12,15(2)	1070318 (531-RAE)	1070326 (531-RAJ)
	E.P.D.M. INCLUDES DIAPHRAGM	BUTYL INCLUDES DIAPHRAGM
	1073277 (V531-100)	1073277 (V531-100)
	1070334 (531-RAV)	
INT. PARTS KIT CONSISTS OF ITEM NO'S 2,5,6,7,8,14	FKM INCLUDES DIAPHRAGM 1073278 (V531-101)	
	1070342 (K531-RF)	

ASSEMBLY TOOLS	
DESCRIPTION	PART NO.
LIMIT STOP TOOL (TOOL NOT SHOWN)	1073556 (V560-579)
STRAP WRENCH (TOOL NOT SHOWN)	1073557 (V560-581)

NO.	DESCRIPTION	PART NO.	QTY.
1	BODY	1073287 (V531-410K)	1
2	DISC PLATE	1073274 (V531-093K)	1
3	DISC	E.P.	1073279 (V531-110)
		BUTYL	1073280 (V531-111)
		FKM	1073281 (V531-112)
		FKM	1073281 (V531-112)
4	O-RING	E.P.	1071749 (ORE-223)
		BUTYL	1071780 (ORJ-223)
		FKM	1071820 (ORV-223)
5	RETAINING RING	1073312 (V531-593)	1
6	SHAFT GUIDE	PVC	1073292 (V531-491)
		NORYL	1073291 (V531-490)
7	SHAFT	1073294 (V531-530)	1
8	LWR DIA. PLATE	1073265 (V531-045K)	1
9	O-RING	BUNA N	1071700 (ORB-208)
		FKM	1071814 (ORV-208)
10	DIAPHRAGM	BUNA N	1073277 (V531-100)
		FKM	1073278 (V531-101)
11	CAP RETAINER NUT	1073395 (V535-080K)	1
12	O-RING	BUNA N	1071685 (ORB-039)
		FKM	1071796 (ORV-039)
13	CAP	1073263 (V531-021K)	1
14	UPR DIA. PLATE	1073264 (V531-040K)	1
15	O-RING	E.P.	1242718 (ORE-210TC)
		BUTYL	1071776 (ORJ-210)
		FKM	1242394 (ORV-210TC)
16	SOCKET RTNG NUT	1073273 (V531-080K)	2
17	O-RING	E.P.	1071748 (ORE-218)
		BUTYL	1071779 (ORJ-218)
		FKM	1071819 (ORV-218)



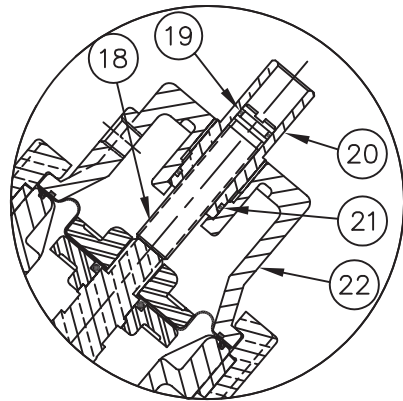
1070304 (K531-X200-14000)
NORMALLY OPEN (STANDARD)

NOTE:
CONNECTORS NOT FURNISHED WITH VALVE.
SEE DWG. NO. 1078165 FOR FEMALE SOCKET
WELD CONNECTORS.

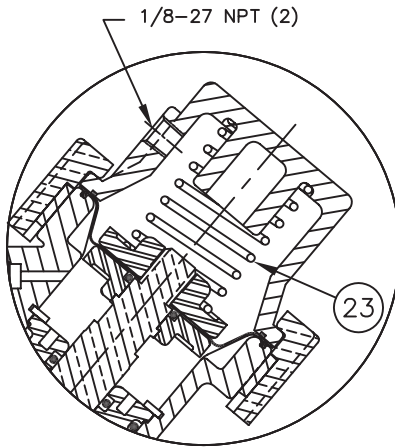
SEE REVERSE SIDE FOR CONFIGURATION OPTIONS

FORM NO. 1077688

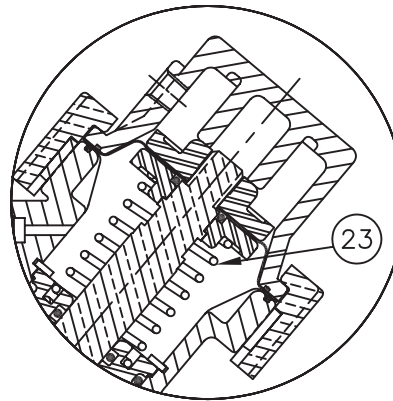
E	UPDATED O-RING P/N'S	1635	MSM	23JAN06	
REV	DESCRIPTION	ECO	DWN	DATE	APVD
		20580 Enterprise Avenue Brookfield, WI 53045 888.784.9065 www.Pentairwatertreatment.com			
SERIES 531 DIAPHRAGM VALVE STANDARD MODEL					
DRAWN	JWB	DATE	11JUN01	DRAWING NO.	1084007



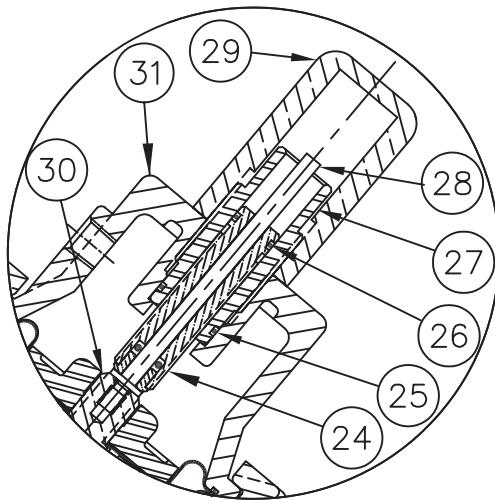
1070305 (K531-X210-14000)
LIMIT STOP



1071286 (K531-X202-14000)
SPRING ASSIST CLOSED



1071282 (K531-X201-14000)
SPRING ASSIST OPEN



K531-X221-14000
**LIMIT STOP/
POSITION INDICATOR**

REPAIR PARTS KITS	
DESCRIPTION	PART NO.
INT. PARTS KIT (LIMIT STOP) CONSISTS OF ITEM NO'S 18 THRU 21	1075226 (531-LS)
INT. PARTS KIT (SPRING ASSIST CLOSED) CONSISTS OF ITEM NO. 23	1075229 (531-S)
INT. PARTS KIT (SPRING ASSIST OPEN) CONSISTS OF ITEM NO. 23	1075229 (531-S)
INT. PARTS KIT (LIMIT STOP/POS INDICATOR) CONSISTS OF ITEM NO'S 24 THRU 30	1075227 (531-PI)

CONVERSION KITS	
DESCRIPTION	PART NO.
CONVERSION KIT (LIMIT STOP) CONSISTS OF ITEM NO'S 18 THRU 22	1071265 (K531-LSC)
CONVERSION KIT (SPRING ASSIST CLOSED) CONSISTS OF ITEM NO. 23	1075229 (531-S)
CONVERSION KIT (SPRING ASSIST OPEN) CONSISTS OF ITEM NO. 23	1075229 (531-S)
CONVERSION KIT (LIMIT STOP/POS. INDICATOR) CONSISTS OF ITEM NO'S 24 THRU 31	1071266 (K531-PI-C)

NO.	DESCRIPTION	PART NO.	QTY.
LIMIT STOP MODEL			
18	ADJUSTING SCREW	1073308 (V531-576)	1
19	O-RING	BUNA N 1071668 (ORB-012)	1
		FKM 1071787 (ORV-012)	
20	LS GUIDE	PVC 1073304 (V531-571)	1
		CPVC 1073306 (V531-573)	
21	O-RING	BUNA N 1071671 (ORB-016)	1
		FKM 1071789 (ORV-016)	
22	CAP	1073288 (V531-421K)	1
SPRING ASSIST CLOSED MODEL & SPRING ASSIST OPEN MODEL			
23	SPRING	1073283 (V531-170)	1
LIMIT STOP/ POSITION INDICATOR MODEL			
24	SCREW ASSY	1073315 (V531-700)	1
25	O-RING	BUNA N 1071671 (ORB-016)	1
		FKM 1071789 (ORV-016)	
26	O-RING	BUNA N 1071668 (ORB-012)	1
		FKM 1071787 (ORV-012)	
27	LS/PI GUIDE	PVC 1073303 (V531-570)	1
		CPVC 1073305 (V531-572)	
28	INDICATOR SHAFT	1073298 (V531-555)	1
29	PI CLEAR CAP	1073297 (V531-550)	1
30	SHAFT	1073295 (V531-531)	1
31	CAP	1073288 (V531-421K)	1

SEE REVERSE SIDE FOR
STANDARD NORMALLY OPEN MODEL

FORM NO. 1077688

E	UPDATED O-RING P/N'S	1635	MSM	23JAN06	
REV	DESCRIPTION	ECO	DWN	DATE	APVD
		20580 Enterprise Avenue Brookfield, WI 53045 888.784.9065 www.Pentairwatertreatment.com			
SERIES 531 DIAPHRAGM VALVE STANDARD MODEL					
DRAWN		DATE		DRAWING NO.	
JWB		11JUN01		1084007	